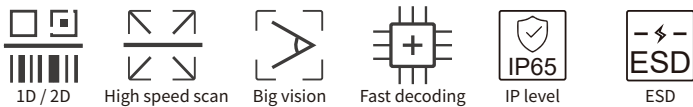


# ViziFuze Industrial Scanner X25E



## GENERAL FEATURES

- Support auto focus/auto parameter setting
- Good shock resistance, high level of protection
- Support Ethernet, RS-232 and other communication protocols
- New dual lighting system
- Ten sets of parameters can be set simultaneously in Bank mode
- Built-in powerful code reading algorithm, can efficiently read a variety of code system bar codes



# X25E-12

## Specifications

### Structural Parameter

Dimensions	52.5mm x 27mm x 69.8mm
Weight	≈220g

### Image Sensor

Sensor Type	Global Shutter CMOS
Image(Pixels)	1280 pixels(H) x 800 pixels(V)
Color	Black and white
Frame Rate	60fps
Light Source	Red and white optional, 8 high-lighted leds

### Electrical Specification

Voltage	5~24V DC ±10%	
Current	<3.5W	
I/O	Input	1 optical coupling isolated input, support NPN, PNP access mode
	Output	1 optical coupling isolated output, support NPN, PNP, switch control mode
Interface	RS232C, supports no protocol, ModBus RTU protocol	
Ethernet	10/100 baseT, support TCP/IP, Modbus TCP, EthernetIP, Profinet and other protocols	

### Read Specification

Symbologies	1D	Code 128, Code 39, Code 93, Code 11, Interleaved 2 of 5, Codabar, GS1 DataBar, UPC, EAN etc.
	2D	PDF 417, MicroPDF417, DataMatrix, Maxicode, QR code, MicroQR, Aztec, Hanxin, Vericode, etc.
Minimum Resolution	0.05mm	
Field Angle	Horizontal: 18°	
Read distance (distance window)	80mm~600mm	
Field of View (300mm distance)	92mm*58mm	

### User Environment

Operating Temperature	-10°C ~ 50°C
Storage Temperature	-20°C ~ 70°C
Humidity	5% ~ 95%, non-condensing
ESD Protection	±8KV (direct discharge)
Waterproof Class	IP65

# X25E-06

## Specifications

### Structural Parameter

Dimensions	52.5mm x 27mm x 55mm
Weight	≈190g

### Image Sensor

Sensor Type	Global Shutter CMOS
Image(Pixels)	1280 pixels(H) x 800 pixels(V)
Color	Black and white
Frame Rate	60fps
Light Source	Red and white optional, 8 high-lighted leds

### Electrical Specification

Voltage	5~24V DC ±10%	
Current	<3.5W	
I/O	Input	1 optical coupling isolated input, support NPN, PNP access mode
	Output	1 optical coupling isolated output, support NPN, PNP, switch control mode
Interface	RS232C, supports no protocol, ModBus RTU protocol	
Ethernet	10/100 baseT, support TCP/IP, Modbus TCP, EthernetIP, Profinet and other protocols	

### Read Specification

Symbologies	1D	Code 128, Code 39, Code 93, Code 11, Interleaved 2 of 5, Codabar, GS1 DataBar, UPC, EAN etc.
	2D	PDF 417, MicroPDF417, DataMatrix, Maxicode, QR code, MicroQR, Aztec, Hanxin, Vericode, etc.
Minimum Resolution	0.08mm	
Field Angle	Horizontal: 35°	
Read distance (distance window)	50mm~350mm	
Field of View (300mm distance)	185mm*115mm	

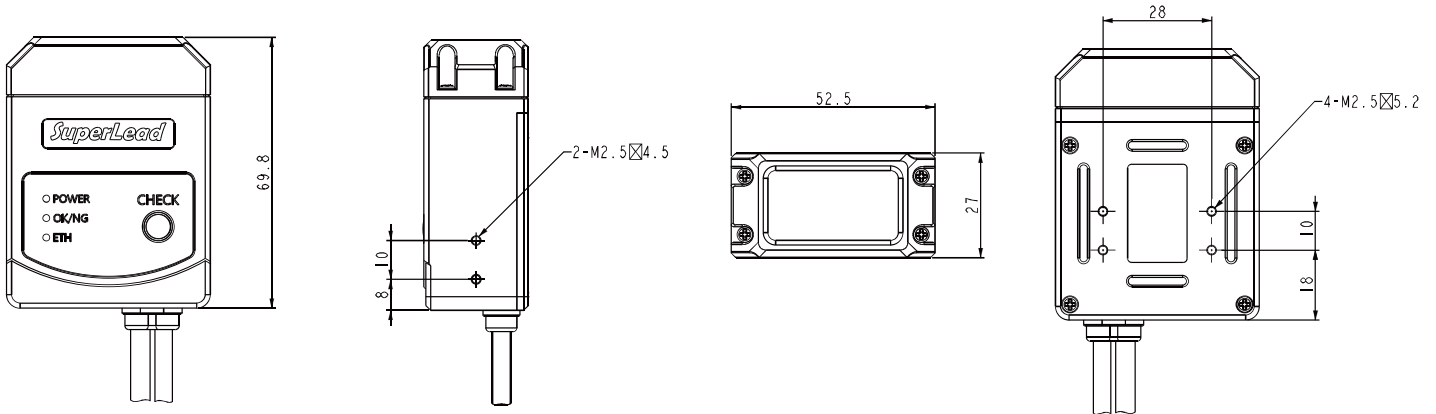
### User Environment

Operating Temperature	-10°C ~ 50°C
Storage Temperature	-20°C ~ 70°C
Humidity	5% ~ 95%, non-condensing
ESD Protection	±8KV (direct discharge)
Waterproof Class	IP65

# X25E

Dimensions (unit: mm)

## X25E-12



## X25E-06

